

Peerless-AV's **Security Locking Mounts** offer the next level of security within the wall mount range with a secure locking bar and provided padlock.

With 3 size ranges in flat-to-wall, tilting and portrait mountable solutions, this line provides a high level of theft deterrence for 22" to 75" screens in public areas where security is of higher concern.



## PTL640

■ **Wide screen compatibility** with maximised mounting patterns; 635 and 640 models display screens in landscape and portrait orientations

■ **Lateral adjustment** to position screen at desired location

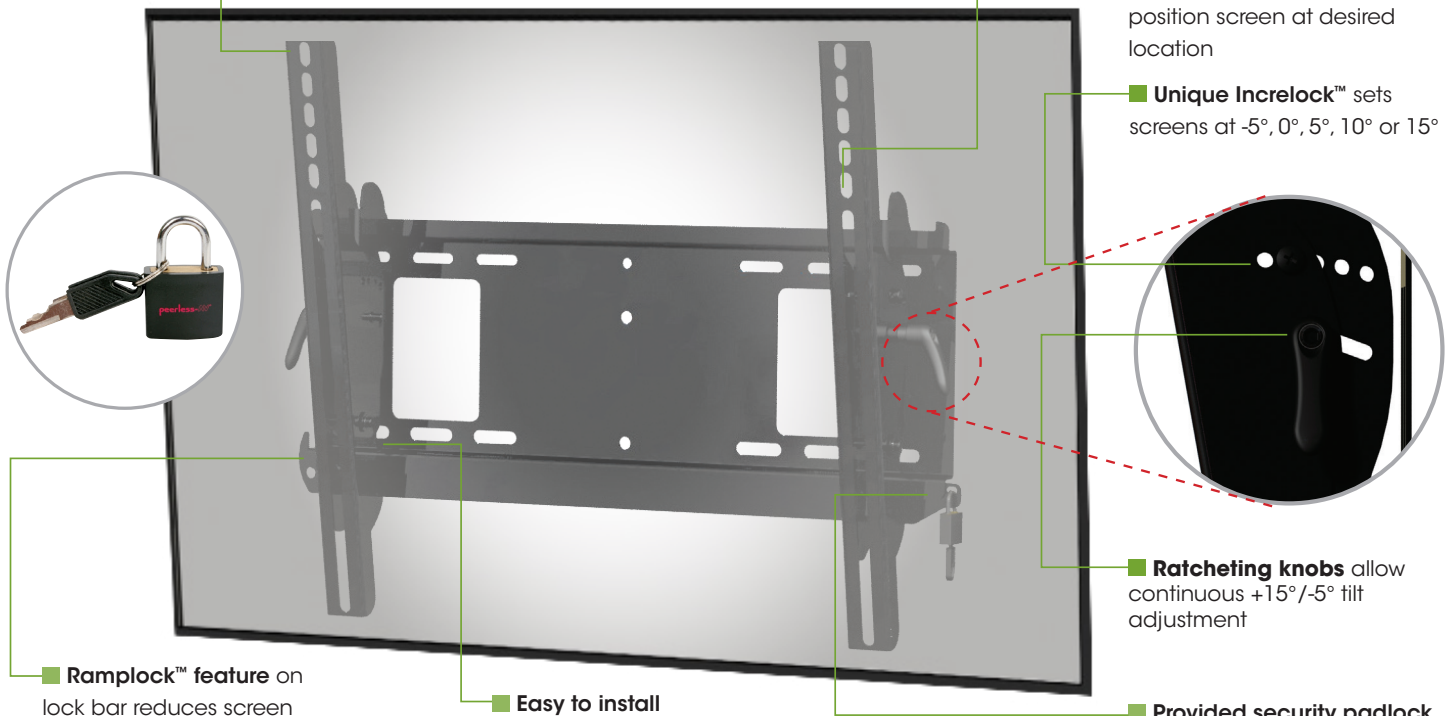
■ **Unique Increlock™** sets screens at -5°, 0°, 5°, 10° or 15°

■ **Ratcheting knobs** allow continuous +15°/-5° tilt adjustment

■ **Provided security padlock** adds visual theft deterrence

■ **Ramplock™** feature on lock bar reduces screen movement and vibration after engagement

■ **Easy to install locking bar** installs from either side



Part No.	Screen Size	Orientation	Max Load	Mounting pattern
PFL635	22"-40"	Landscape / Portrait	56kg (125lbs)	Up to VESA® 200x200
PTL635	22"-40"	Landscape / Portrait	56kg (125lbs)	Up to VESA® 200x200
PFL640	32"-60"	Landscape / Portrait	68kg (150lbs)	Up to VESA® 400x400mm
PTL640	32"-60"	Landscape / Portrait	68kg (150lbs)	Up to VESA® 400x400mm
PFL650	37"-75"	Landscape	79kg (175lbs)	Up to VESA® 700x400mm
PTL650	37"-75"	Landscape	79kg (175lbs)	Up to VESA® 700x400mm
PFLP650	37"-75"	Portrait	68kg (150lbs)	Up to VESA® 700x400mm
PTLP650	37"-75"	Portrait	68kg (150lbs)	Up to VESA® 700x400mm